



## MEDIUM-PRESSURE CALIBRATOR

MEDIUM: AIR / UP TO 25 BAR

KELLER pressure calibrators are highly accurate calibration instruments which are available for the following pressure ranges: -0,85...10 bar (LPX), -0,85...25 bar (MPX) or 0...700 bar (HPX) (special measurement ranges are available on request).

The medium-pressure calibrator (MPX) is used to generate pressure in order to check and calibrate mechanical and electronic pressure measurement devices with the help of comparative measurements.

The pressure generator is accommodated together with the pressure display in a functional housing. The pressure on a test object that is fitted to the calibrator can be built up quickly, and tracking is made easy thanks to the integrated display.

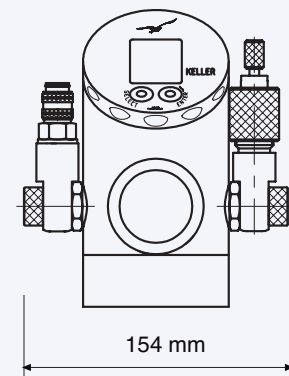
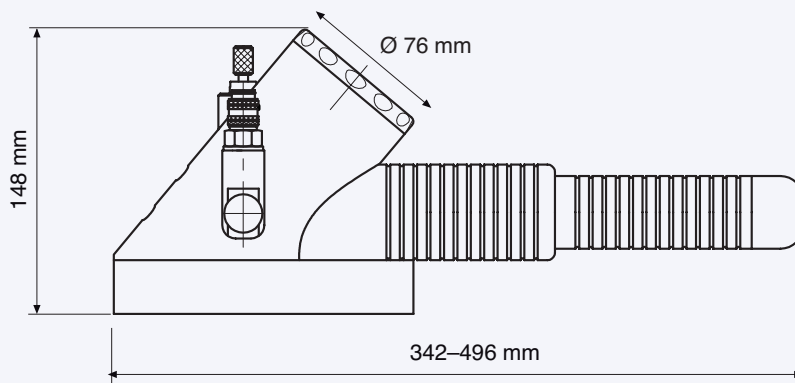
Test objects are connected to the medium-pressure calibrator via the Serto coupler and a connection nipple (G 1/4"). A hand pump (medium: air), integrated in the device, is used to build the pressure up to an approximate level with pulling and pumping movements; the pressure is then adjusted exactly with the help of the integrated fine-tuning valve.

Measurement work is made easier by a wide range of functions, such as setting any desired pressure zero point, display of peak and trough pressure values, or leak measurements.

Furthermore, the applied pressure can be displayed directly on a computer via the integrated interface (USB converter), after which it can be saved and processed or managed in any desired manner.

The calibrator, including accessories, is supplied in a durable carrying case, making it ideal for assignments in the field.

- Measurement accuracy: < 0,05% of the full pressure range
- Measurement interval: 0,5 seconds
- Pressure generation by means of air
- Battery-powered (normal commercially available button-cell battery)
- Battery lifetime: > 2000 h in continuous operation
- USB interface converter: included in the scope of delivery
- Ambient characteristics: 0...50 °C / 5...95% relative air humidity
- CE compliant / RoHS compliant



**Specifications**

|  |                                    |
|--|------------------------------------|
| Pressure range (FS)                              | -0,85...25 bar (others on request) |
| Resolution                                       | 1 mbar                             |
| Overpressure                                     | 31 bar                             |
| Accuracy, error band <sup>(1)</sup> (10...40 °C) | < 0,05 %FS                         |
| Accuracy, error band <sup>(1)</sup> (0...50 °C)  | < 0,1 %FS                          |
| Measurement interval                             | 0,5 seconds                        |

<sup>(1)</sup> including accuracy, temperature coefficients, zero point and range tolerance

**Electrical characteristics**

|                  |                                  |
|------------------|----------------------------------|
| Power supply     | 3 V battery, type CR2430         |
| Battery lifetime | > 2000 h in continuous operation |

**Ambient characteristics**

|                       |                               |
|-----------------------|-------------------------------|
| Operating temperature | 0...50 °C                     |
| Compensated range     | 0...50 °C                     |
| Storage temperature   | -10...60 °C                   |
| Humidity              | 5...95% relative air humidity |

**Mechanical characteristics**

|                      |                            |
|----------------------|----------------------------|
| Calibrator housing   | Polyamide 12               |
| Weight               | approx. 2 kg               |
| Pressure port        | Serto and various adapters |
| Degree of protection | IP 65                      |

**Scope of delivery for medium-pressure calibrator (MPX)**

- Calibrator
- Carrying case
- Spare battery, type CR2430 (3,0 V)
- Y-coupler
- Hose nipple
- Connection nipple, G 1/4"
- Sealing rings (G 1/8" + G 1/4")
- CrNi filter
- Vacuum pump
- USB interface converter, K-114A
- KELLER software CD
- Test record (5 points)
- Operating instructions

