

- Combined pressure/temperature indicator
- 3-digit LED with contact setpoints
- 80 mm stainless steel case
- 2 min./max. memory
- Pressure ranges from 250 mbar to 40 bar
- Temperatur ranges 0...50°C to -20...100°C
- Analog output: (0)4...20 mA, 0...10 V
- 2 DC PNP contact setpoints, max. 200 mA



## Digital contact gauge PTM 82 with temperature display

### Technical Data:

Ranges:	0...250 mbar to 0...40 bar 0...50°C bis -20...100°C
Analog output:	(0)4...20 mA, 0...10 V
Contact output:	DC PNP, max. 200 mA
Accuracy:	
Pressure:	≤ ± 0.5% FS @ 25°C
Temperature:	≤ ± 0.3% FS @ 25°C + 0,3°C +0.005°C x t (Pt1000 KI. B)
Response time:	200 ms
Power supply:	10...30V DC, 20 mA output 16...30V DC, 10 V output
Ambient temperatur:	-20...80 °C
Process temperature:	-20...100 °C
Temperature coeff.:	≤ ± 0.03% FS/K zero (pressure) ≤ ± 0.02% FS/K span (pressure) ≤ ± 0.02% FS/K (temperatur)
Long term stability:	≤ ± 0.5% FS p. a.
Bayonet lock-case:	1.4301 (304) IP 67
Process connection:	G 1/2", 1.4404 (316L)
Sensor:	ceramic AL <sub>2</sub> O <sub>3</sub>
Electrical connection:	M12x1 5-pin connector

**Nöding**

Meßtechnik

## Pressure range

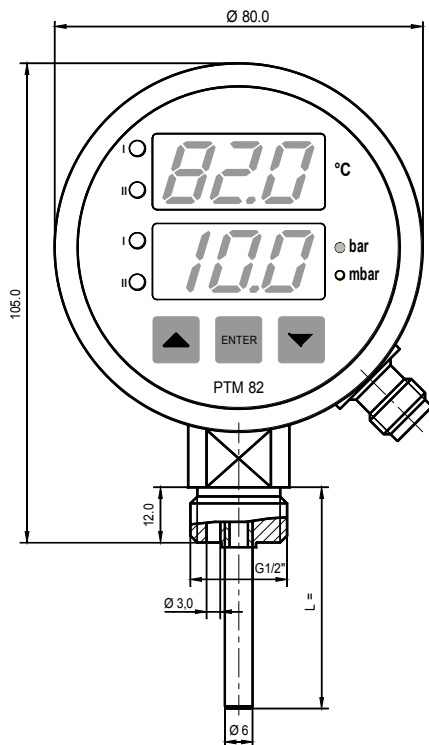
Range	Code	Overload (bar)
0...250 mbar / 0...25 kPa	02	- 0,15 / 1
0...400 mbar / 0...40 kPa	03	- 0,15 / 1
0...500 mbar / 0...50 kPa	B7	- 0,2 / 2
0...600 mbar / 0...60 kPa	04	- 0,2 / 2
0...1 bar / 0...100 kPa	05	- 0,2 / 2
0...1,6 bar / 0...160 kPa	06	- 0,4 / 4
0...2 bar / 0...200 kPa	B3	- 0,4 / 4
0...2,5 bar / 0...250 kPa	07	- 0,8 / 10
0...4 bar / 0...400 kPa	08	- 0,8 / 10
0...5 bar / 0...500 kPa	F1	- 0,8 / 10
0...6 bar / 0...600 kPa	09	- 1 / 20
0...10 bar / 0...1 MPa	10	- 1 / 40
0...10 bar / 0...1 MPa	HD	-1 / 105 (1)
0...16 bar / 0...1,6 MPa	11	- 1 / 40
0...20 bar / 0...2 MPa	B5	- 1 / 40
0...25 bar / 0...2,5 MPa	12	- 1 / 100
0...40 bar / 0...4 MPa	13	- 1 / 100
-1...1 bar / -100...100 kPa	D6	- 1 / 4
-1...1,5 bar / -100...150 kPa	D7	- 1 / 4
-1...3 bar / -100...300 kPa	D8	- 1 / 10
-1...5 bar / -100...500 kPa	D9	- 1 / 10
-1...9 bar / -100...900 kPa	E1	- 1 / 40
-1...15 bar / -100...1500 kPa	E2	- 1 / 40
-1...19 bar / -100...1900 kPa	E3	- 1 / 40

(1) burst pressure 175 bar

## Temperatur range

range	code
0...50°C	1
0...60°C	2
0...80°C	3
0...100°C	4
-20...50°C	A
-20...60°C	B
-20...80°C	C
-20...100°C	D
0...50.0°C	J
0...60.0°C	K
0...80.0°C	L
0...100.0°C	M
-20.0...50.0°C	N
-20.0...60.0°C	O
-20.0...80.0°C	P
-20.0...100.0°C	Q

## Dimensions (mm)



## Ordering code

### Analog output pressure

- 0 without
- 1 0...10V 3-wire
- 2 0...20 mA 3-wire
- 3 4...20 mA 3-wire (\*)

(\*) signal range  
3.8...20.5 mA

### Analog output temperatur

- 0 without
- 1 0...10V 3-wire
- 2 0...20 mA 3-wire
- 3 4...20 mA 3-wire (\*)

### Contact output pressure

- 0 without
- 1 1 Contact
- 2 2 Contacts

### Contact output temperatur

- 0 without
- 1 Contact
- 2 Contacts

### Pressure Range

Measurement range see table  
99 non standard range

### Temperatur Range

Measurement range see table  
9 non standard range

### Process connection and material

- G G1/2" below, 1.4404, protection tube 6 Ø
- 0 G1/2" sidewise left, 1.4404, protection tube 6 Ø
- 9 others on request

### Temperatur tube lenght

- 05 50 mm
- 10 100 mm others on request
- 16 160 mm
- 25 250 mm

### Sensor seal

- 1 FPM Viton (Standard)
- 2 NBR (Nitril)
- 3 EPDM Kautschuk

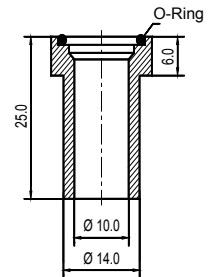
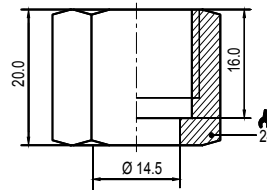
### Options

- 0 Pt 1000 Kl. B (standard)
- 1 Pt 1000 Kl. B; Pressure display only 2 digit
- 2 Pt 1000 Kl. A
- 3 Pt 1000 Kl. A; Pressure display only 2 digit

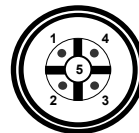
PTM82 - [ ] [ ] [ ] [ ] - [ ] [ ] [ ] [ ] - [ ] [ ] [ ] [ ]

## Accessories (optional)

gauge connection with welding nipple  
MAT82-EPDM  
MAT82-FPM  
MAT82-NBR

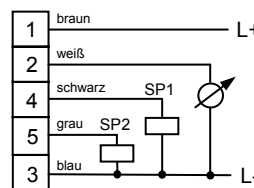


## Electrical connections

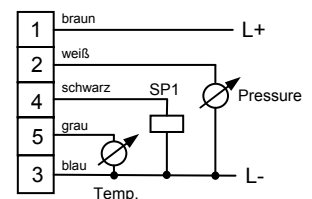


Connector M12x1  
5-pin

Connection with 1 Analog output, and 2 contact outputs



Connection with 2 Analog outputs, and 1 contact output



Modifications reserved without notice 07.13