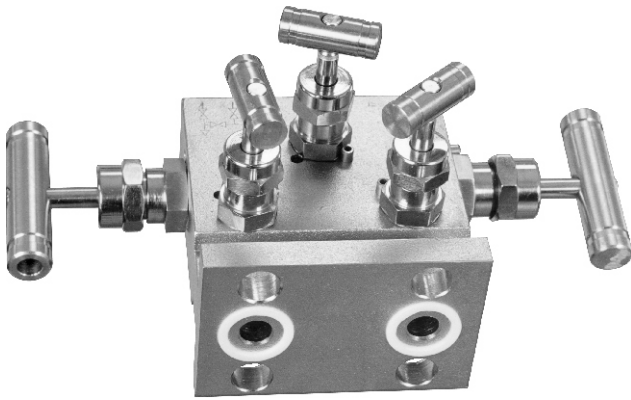
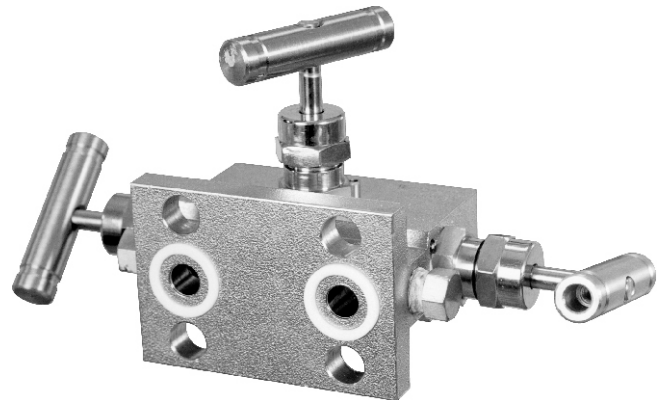


# VM-3 and VM-5 valve manifolds

✓ Body material – stainless steel (316ss)



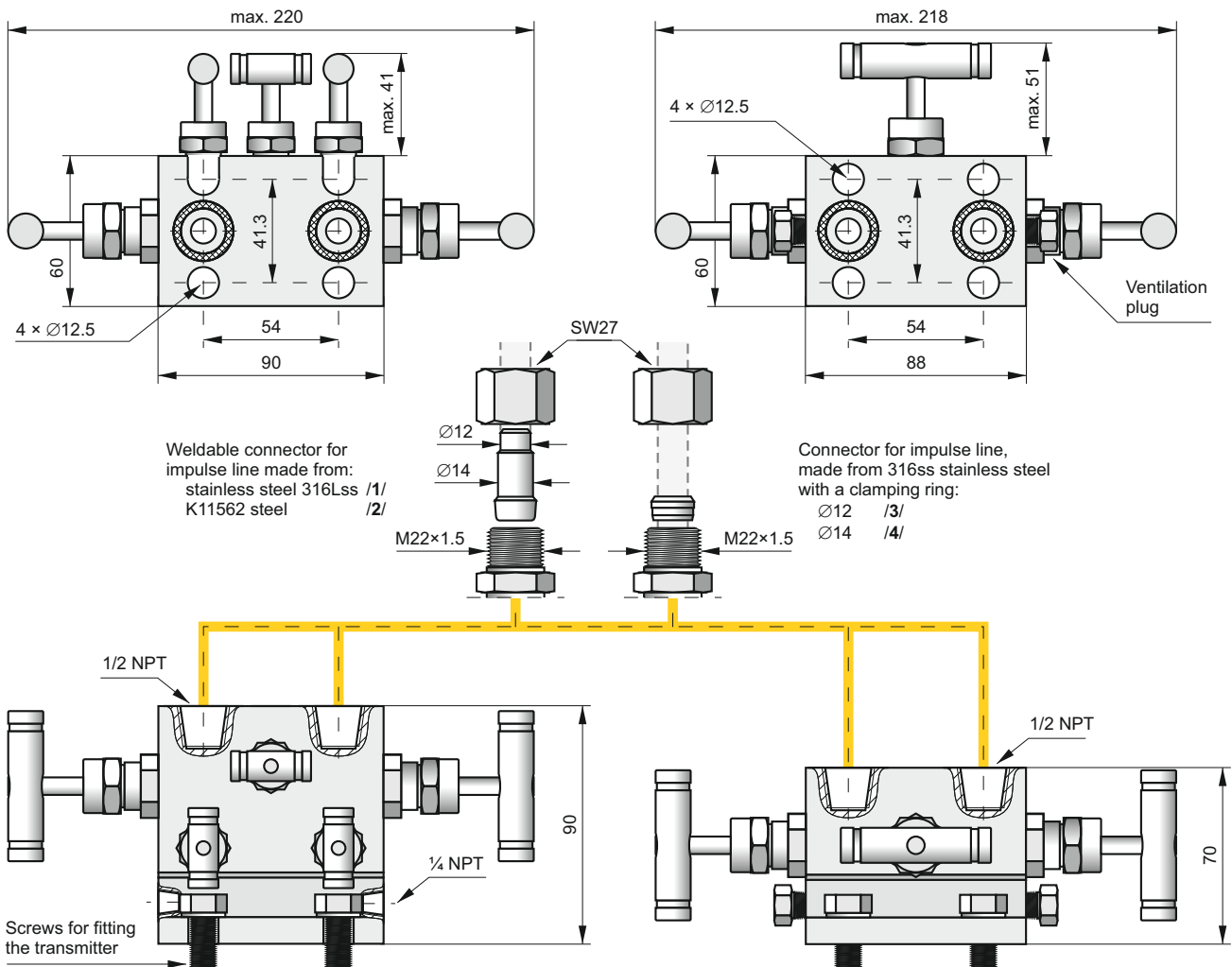
**VM-5 valve**



**VM-3 valve**

## Features

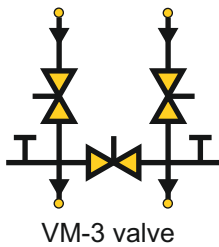
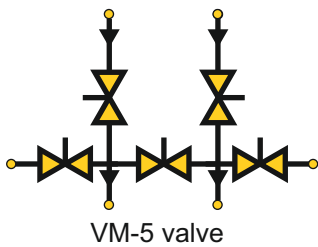
3-valve and 5-valve manifolds are used where relative pressure transmitters are installed. They enable essential operations to be performed on the transmitters, such as starting up a transmitter or setting the zero position in conditions of static or atmospheric pressure. The five-valve manifold also enables a calibrator to be connected for metrological testing of the transmitter. The VM-3 and VM-5 have a modern lightweight construction. The high precision of manufacture enables individual valves to be opened and closed easily.



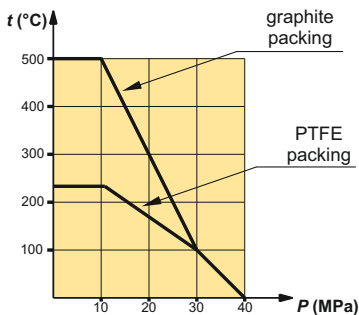
## Technical parameters

<b>Maximum pressure</b>	420 bar (according to the graph)
<b>Pin packing</b>	PTFE or graphite
<b>Body material</b>	316ss
<b>Weight:</b> VM-3	1.8 kg
VM-5	2.54 kg
<b>Connectors:</b>	
to the installation	– 1/2" NPT sockets
to the transmitter	– 54 mm spacing

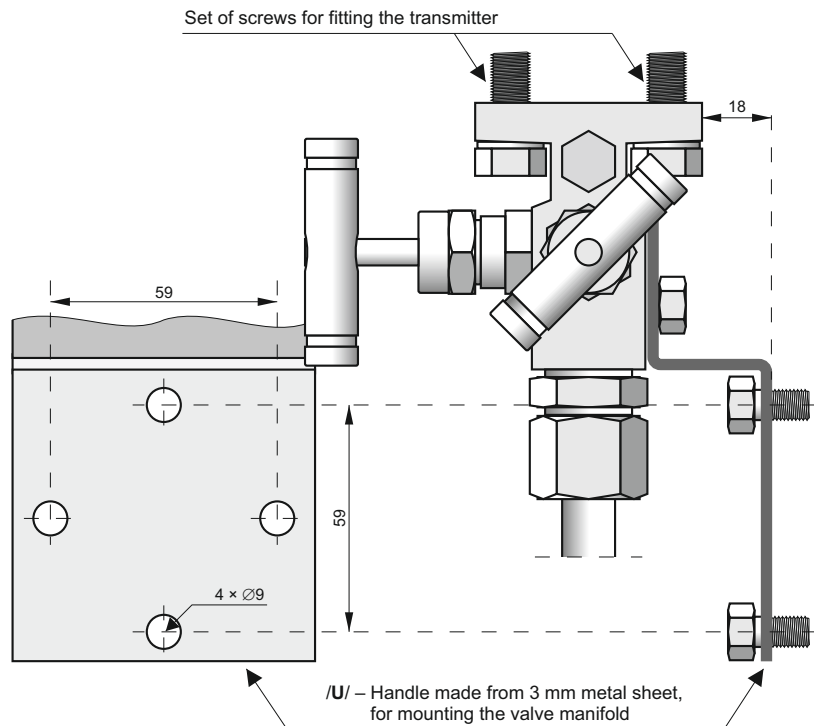
## Connection diagrams



## Operating pressure range as a function of temperature

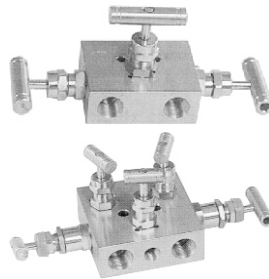


## Example of installation of the VM-3 with fitting accessories

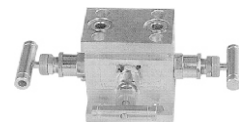


## Special versions

### Versions R



### Versions H



## Recommendations concerning selection of valves

The standard versions of the valves have Teflon pin packing; a special version is available with graphite packing. The special version should be used only when the valves operate at temperatures in excess of 200°C.

The valve manifold is supplied with seals for the collar-type output points. To order, it can be supplied additionally with a set of M10 or 7/16" screws for fitting the transmitter, connectors for impulse lines and a sheet-metal handle used to mount the valve on the construction.

## Ordering procedure

Valve manifolds:

3-valve – **VM-3** / / /

5-valve – **VM-5** / / /

Special versions:

**H** – constructional versions (only VM-3)

**R** – constructional versions

**Graphite** – graphite pin packing

**Tlen** – valve adapted to contact with oxygen

**NACE** – NACE MR-01-75 comply

Additional equipment – description:

### Code

### Product

<b>A</b>	Set of M10 screws for fitting the transmitter (up to 250 bar)
<b>B</b>	Set of 7/16" × 1" screws for fitting the transmitter (up to 413 bar)
<b>C</b>	Set of 7/16" × 2 1/4" screws for fitting the transmitter with covers type COPLANAR
<b>D</b>	Set of M10 screws for fitting the transmitter (up to 320 bar)
<b>1</b>	Set of weldable stainless steel connectors (316ss)
<b>2</b>	Set of weldable steel connectors (K11562)
<b>3</b>	Set of connectors with Ø12 clamping ring
<b>4</b>	Set of connectors with Ø14 clamping ring
<b>U</b>	Handle for mounting the valve