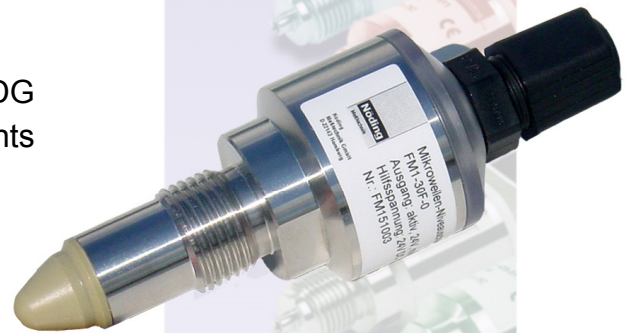


- Microwave level switch
- For liquids with $\geq 20\%$ water content
- Accurate switching point without adjustments
- Hygienic installation in accordance with EHEDG
- Wetted parts compatible with FDA requirements
- Potted electronic
- Not influenced by vibrations
- Not influenced by foam or adhesions
- Compact and rugged design
- LED indicators, red / green



Microwave level switch FM 1

Technical Data:

Function:	min / max signal by polarity change of power supply
Output:	DC PNP, max. 50 mA, short-circuit proof
Response time:	approx. 1 s
Supply voltage:	18...35 V DC, max. 50 mA, without switching power
Ambient temperature:	-10...50 °C
Fluid temperature:	0...100 °C
Process connection:	G 1/2", stainless steel 1.4301
Case:	stainless steel 1.4301
Sensor tip:	PEEK
Clamping torque:	5-10 Nm
Protection class:	IP 67
Electrical connection:	Quickon-connector, IP 67 Connector M12x1, 4-pole, IP 67 Connector EN 175301-803A, IP67 2m / 5m / 10m cable, IP 67
Working pressure:	max. 16 bar

Nöding

Meßtechnik

Process connection and material

- 0 M12x1,5, 1.4301 (on request)
- 3 G1/2", 1.4301
- 9 Others

Measuring tip

- 0 PEEK

Electric connection

- 0 5m Cable connection, IP 67
- 1 Connector EN 175301-803A, IP 67
- 6 2m Cable connection, IP 67
- A Connector M12x1, 4-poles, IP 67
- F Quickon-connector, IP 67
- H 10m Cable connection, IP 67
- X terminal strip housing (on request)
- 9 Others

Options

- 0 without
- 1 operating functions LED

FM1-

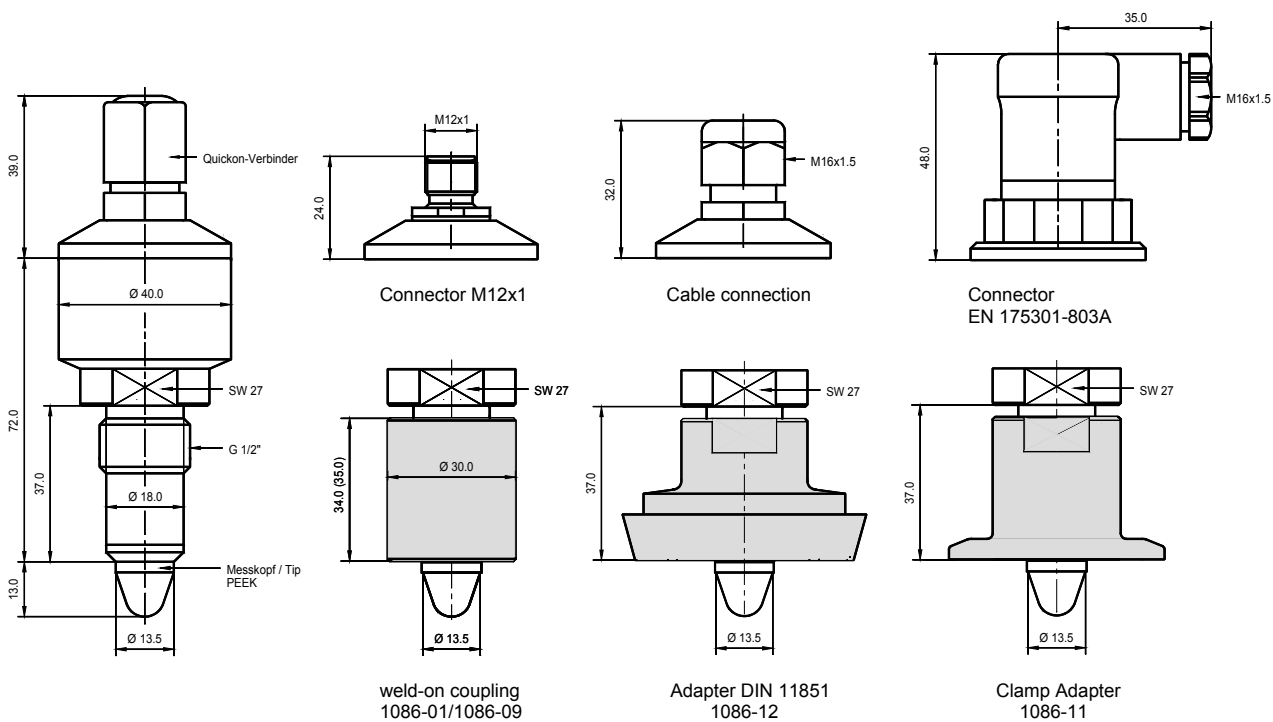


Adapter and weld-on coupling

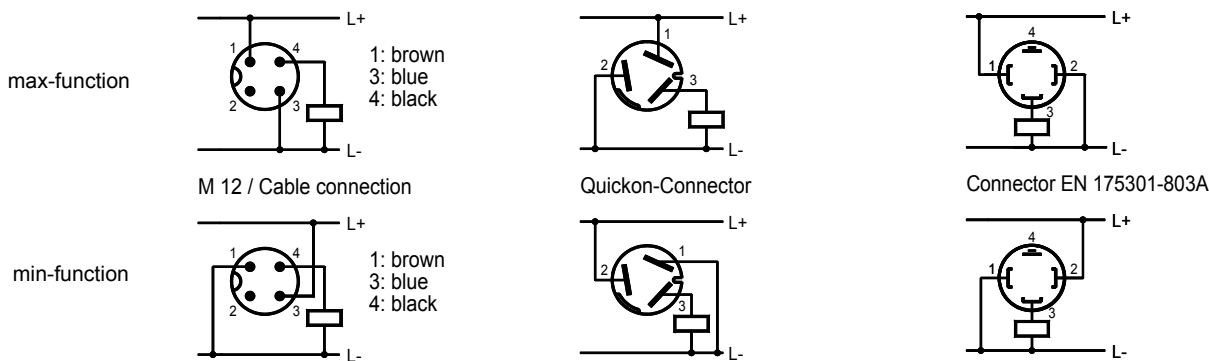
- 1086-01 weld-on coupling Ø 30mm, 1.4404 (316L) with Viton® seal
- 1086-09 weld-on coupling Ø 30mm, 1.4404 (316L) with metallic hygienic seal
- 1086-11 Clamp 1", DN 25...40, 1.4404 (316L)
- 1086-13 Dairy thread DN 25 DIN 11851,1.4404 (316L)
- 1086-14 Dairy thread DN 32 DIN 11851,1.4404 (316L)
- 1086-15 Dairy thread DN 40 DIN 11851,1.4404 (316L)
- 1086-08 Adapter G 1", 1.4404 (316L)

Other adapter on request

Dimensions (mm)



Electric connections



modifications reserved without prior notice 10.17